

SD Card Access Made EASY!

Memory mapped FIFO interface

Block Transfer Interface (ver2)

SDHC Card Standard

4-bit Fast Interface.

OpenCores based core module

wrapped in a custom, high performance and convenient user interface.

Configurable Feature Versus

Performance

Tested With a Number of Card

Manufacture's Devices

<~3k Logic Cells (Non-Block

Transfer Version), >100 MHz

Core Clock Operation

SW API

Initialize Card

Get Card Parameters

Write Sector

Read Sector

Setup Block Transfer (ver2)

Additional API Calls Under

Development

Contact:

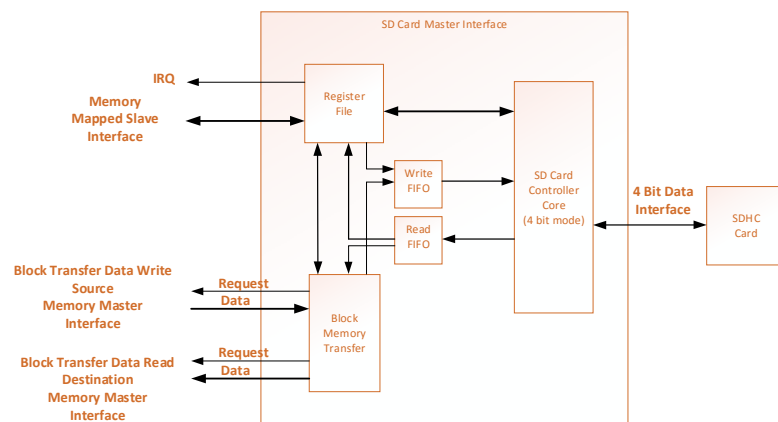
Sales@logic-tectonics.com

815 975-7070

www.logic-tectonics.com

OpenCores is a registered name for OpenCores.org. The core use in the end product is subject to LGPL

FPGA/ASIC SDHC Card Interface



- Small HDL Based Design
- Fully Synchronous
- Fully Pipelined for Highest Performance
- Simple Slave/Register Configuration Interface
- Easy to Use - Quickest Time from Concept to Realization
- Integrates with other Tectonic HW modules

Make your FPGA/ASIC Video and Data Logging designs more versatile by supporting high speed SDHC Card access. Store and retrieve gigabytes of data easily and reliably.

The Tectonic series of storage and video IP modules make is easier than ever to implement your video system and data storage needs.